



MET ONE 7000 Series Remote Airborne Particle Counters

Highest accuracy non-viable particle monitoring for EC/FDA compliance

The MET ONE 7000 remote airborne particle counters provide the most accurate continuous monitoring for the aseptic and sterile pharmaceutical production environments

Enhanced accuracy

ISO 21501 certified calibration provides data accuracy and repeatability

Built-in user notification

For particle monitoring events enables instant troubleshooting

System integration

Integrates to any FMS system with flexible communication options



Protected sensor

VHP tolerant optics, washdown resistant enclosure protects from accidental exposure to harmful disinfecting chemicals

Lowest cost of ownership

Proven reliable Long Life Laser™ diode

Reduced calibration time

Quick connect feature reduces time and cost of routine calibration



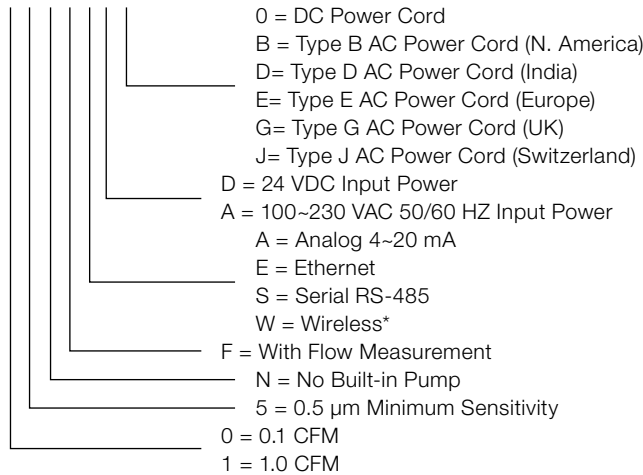
MET ONE 7000 remote particle counters are designed using patented technology to comply with new ISO 21501 calibration requirements that ensure measuring 0.5 µm to 5.0 µm particles with accuracy and repeatability. With flexible communication and OPC server options, the MET ONE 7000 easily integrates to any Facility Monitoring System. Built-in indication lights notify users of counter status and particle events such as reaching an alarm or alert level, eliminating the need to install additional hardware in the sterile environment.

Specially selected optical component materials and effectively sealed 316L stainless-steel enclosure make the MET ONE 7000 tolerant to typical VHP based disinfecting cycles and washdown processes used in cleanrooms. Features such as quick-connect cables and tubing reduce instrument removal and reinstallation time during routine calibration and maintenance work. Built with Long Life Laser™ technology and supported by dependable after sales support from Hach, the MET ONE 7000 minimizes cost of ownership and offers unparalleled user experience in product quality and reliability.

Specifications

HACH LANGE Services

Light Source	Long Life Laser™ diode
Weight	AC version: 3.96 kg (8.7 lbs) DC version: 3.91 kg (8.6 lbs)
Dimensions	22.9 W x 12.5 D x 16.0 H cm (9.02 x 4.92 x 6.3 inches)
Enclosure	316L stainless-steel sealed enclosure with sealed connectors suitable for washdown area
Status Indicator	Multi-coloured LED for normal status, count alarm, count alert, sensor failure, flow failure or communication failure
Power Requirements	24 VDC ±10% or 100 to 230 VAC 50/60 Hz
Power Consumption	Ethernet unit: 6.9 W for DC, 8.9 W for AC maximum Serial unit: 5.9 W for DC, 7.6 W for AC maximum Analog unit: 6.1 W for DC, 7.9 W for AC maximum Wireless unit: 9.7 W DC, 12.5 W AC maximum
Operating Temperature	10 to 32 °C (50 to 90 °F), 5 to 95% relative humidity, non-condensing
Storage Temperature	-40 to 70 °C (-40 to 158 °F), 5 to 98% relative humidity, non-condensing
Signal Output Options	Ethernet or Wireless with TCP/IP protocol Serial RS-485 with Modbus RTU or FXB communication protocol Analog 4–20 mA
Vacuum Requirements	At least 40.6 cm (16 inches) Hg
Number of Size Channels	Standard 2 or Optional 4
Flow Control	Through critical orifice
Isolation Valve	Built-in solenoid valve
Coincidence Loss	Model 7005: 5% at 2,000,000 particles/ft ³ (70,600,000 particles/m ³) Model 7015: 5% at 400, 000 particle/ft ³ (14,000,000 particles/m ³)
False Count Rate	One or less in five minutes
Accessories Included	Mounting Plate, Isokinetic Probe, Wall Plate, Connector Umbilical Cables and Tubing, Operator Manual
How To Order	20887_5-N F-_-_-



Optional Accessories	Optional 4-Channel Setting Purge Filters, 1.0 CFM 1/4 Tube and 0.1 CFM 1/8 Tube Isokinetic Probes, 0.1 CFM and 1.0 CFM Cable, Service Port Connector with RS-232 Converter Relative Humidity/Temperature Probe Brackets, for RH/Temp Probe and LED Indicator Stack/Isokinetic Probe Remote Indicator Light Assembly Cable Assembly, 3 m for Remote Indicator Light Assembly Power Supply Unit, 24 VDC @ 5.0 A, Universal Input for FMS
-----------------------------	--

For a comprehensive parts and accessories list, please refer to the user manual.
* Wireless option is available in limited number of countries. Please contact your Hach sales representative.

-  Contact us to place an order, request information or receive technical support.
-  Service packages and extended warranty up to 5 years.
-  On site technical support.
-  Seminars and workshops: Practical and hands on training.
-  Regular customer information by post and email.
-  www.particle.com
Up to date and secure, with downloads, information and e-shop.

